



RFInnovations

Leaders in Wireless Data

Security Access Control Systems

- Compatibility with leading protocols
- Licence-free operation
- Configurable data timing
- 1 Watt output power
- High data speeds

The RF Innovations RFI-9256 radio modem has been successfully utilised in security access control systems across a range of applications, including tracking of mining personnel, transitory gates at mine sites and in hospital car parks.

The radio modem has proved to be outstanding for use in mobile and temporary access point applications, or as an alternative where cabling is either uneconomical or impractical.



The versatility of the RFI-9256 makes it suitable for a range of purposes, and the radio is fully compatible with the access control software of industry giants Siemens™, Honeywell™ and Tecom™.

In its simplest form, the radio allows for an access control device, such as a card reader or a pin door control, to wirelessly transmit information for verification to a main controller unit or an existing access control infrastructure.

A major advantage of the wireless system, is that it allows for flexibility and mobility of the access control points. Unlike conventional security systems, where access points are permanently cabled through, the RFI structure permits these to be set up in provisional locations and to be freely shifted to suit the changing needs of the user.

Access points can also be set up in hard to reach locations, across roads, public and high-traffic areas.

The licence-free operation of the RFI-9256 allows the system to be applied anywhere, with no additional approvals.

First-class engineering, combined with a well-proven track record across a range of applications, makes the system a sensible choice.

Frequency hopping operation ensures interference immunity, and automatic packet retries guarantees error free links. The end result for the user is total data reliability and security.

Large distances are no barrier for the RFI-9256, as the radio delivers the maximum allowable output power of 1W.

RFInnovations

RFInnovations Pty Ltd

ABN 97 065 523 579

22 Boulder Road Malaga 6090
Western Australia

Telephone: +61 8 9209 0900

Facsimile: +61 8 9248 2833

Email: sales@rfinnovations.com.au

Web: www.rfinnovations.com.au

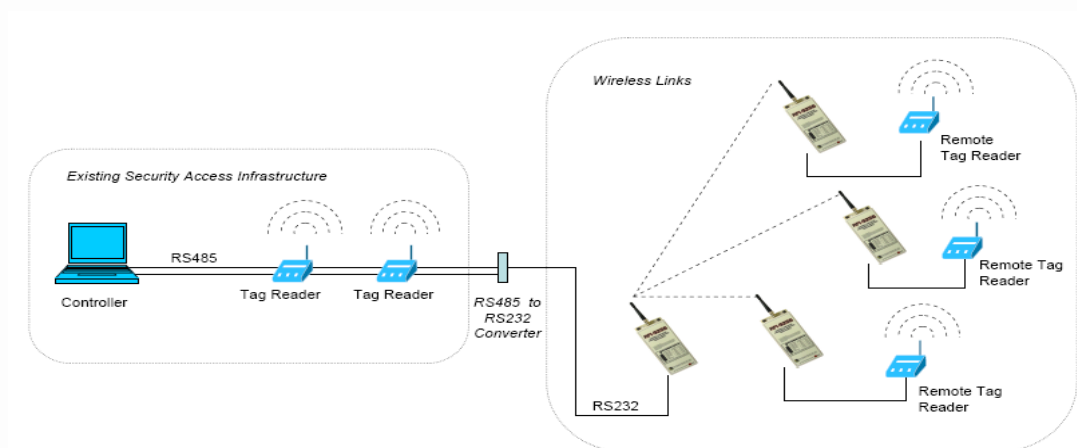
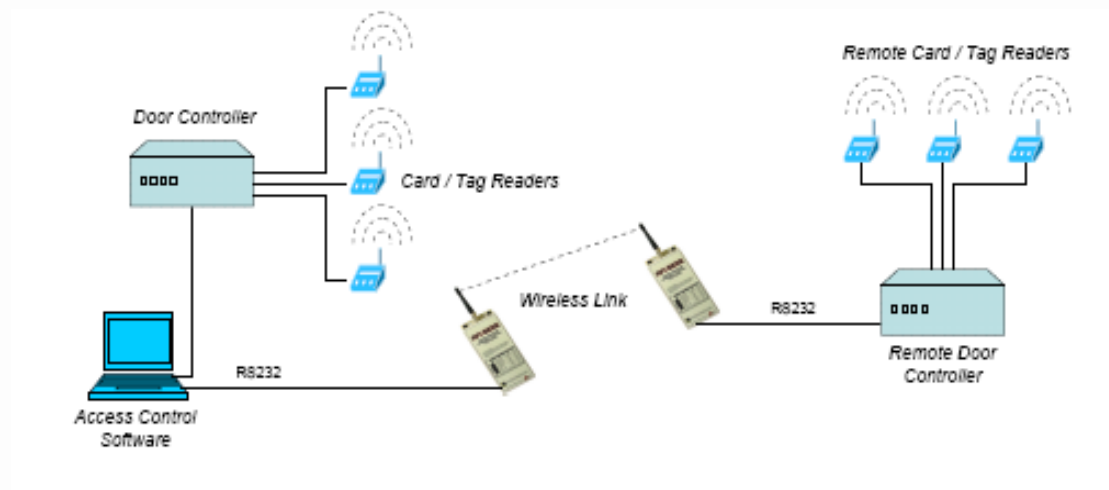
STI-GLOBAL GROUP

Offices: ★ Sydney ★ Perth ★ Madrid

On the technical side, the radio supports rapid data transfers of up to 115kbps, and a range of configuration options ensures the system is compatible with your existing protocol timing. The radio utilises multiplex RS232 ports, allowing for multiple remote access points to be controlled through a single serial port.

RF Innovations has also made diagnostics simple, with an easy to follow front-panel display and a selection of softwares for radio configuration and troubleshooting.

The unique attributes of the RFI-9256 offer the user total peace of mind, and a wide range of configurable options means the radio can be tailor-made to suit your application.



RFInnovations

Leaders in Wireless Data

22 Boulder Road Malaga 6090 Western Australia

Telephone: +61 8 9209 0900

Email: sales@rfinnovations.com.au

Facsimile: +61 8 9248 2833

Web: www.rfinnovations.com.au